



PULSATION DAMPENERS

PULSATION DAMPENER



Pulsation Dampeners

- Metallic and Plastic Design
- 3/8, 1/2, 3/4, 1, 1-1/2, 2, 3 Inch Sizes Available
- Automatic Self-Charging and Self-Venting
- Max Pressure 120 PSI (8.2 bar)
- Maximum Operating Temperature
 - ~ Polyethylene 158°F (70°C)
 - ~ PTFE 248°F (120°C)
 - ~ Metal 248°F (120°C)

PD-038-XXXX PD-050-XXXX PD-075-XXXX PD-100-XXXX PD-150-XXXX PD-200-XXXX PD-300-XXXX

Size	3/8	1/2	3/4	1	1-1/2	2	3
Air Inlet	1/8"	1/8"	1/8"	1/8"	1/4"	1/4"	3/4"

Housing Material and Fluid Connection Availability

Aluminum		MNPT, MBSPT	MNPT, MBSPT	MNPT, MBSPT	MNPT, MBSPT ANSI Flange DIN Flange	MNPT, MBSPT ANSI Flange DIN Flange	
Stainless Steel			MNPT, MBSPT	MNPT, MBSPT	MNPT, MBSPT ANSI Flange DIN Flange	MNPT, MBSPT ANSI Flange DIN Flange	MNPT, MBSPT ANSI Flange DIN Flange
Hygienic Stainless Steel	1/2" Tri-Clamp	1" Tri-Clamp		1-1/2" Tri-Clamp	2" Tri-Clamp	2 1/2" Tri-Clamp	3" Tri-Clamp
Polyethylene	MNPT, MBSPT	MNPT, MBSPT		MNPT, MBSPT ANSI Flange DIN Flange	MNPT, MBSPT ANSI Flange DIN Flange	MNPT, MBSPT ANSI Flange DIN Flange	MNPT, MBSPT ANSI Flange DIN Flange
PTFE	MNPT, MBSPT	MNPT, MBSPT		MNPT, MBSPT ANSI Flange DIN Flange	MNPT, MBSPT ANSI Flange DIN Flange	MNPT, MBSPT ANSI Flange DIN Flange	MNPT, MBSPT ANSI Flange DIN Flange

MODEL MATRIX AND DIMENSIONS



SIZES

038 = 3/8 inch
050 = 1/2 inch
100 = 1 inch
150 = 1-1/2 inch
200 = 2 inch
300 = 3 inch

1 FLUID CONNECTION TYPE

N = MNPT
B = MBSPT
A = ANSI Flange
D = DIN Flange
T = Tri-Clamp

2 HOUSING MATERIAL

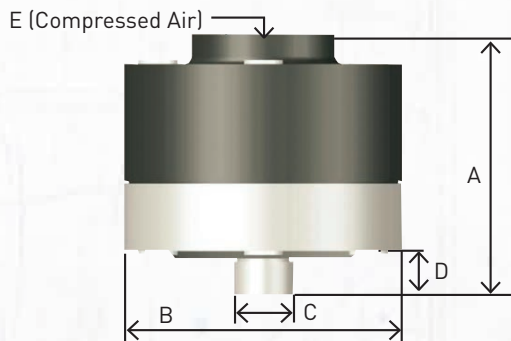
H = Polyethylene
T = PTFE
A = Aluminum
3 = 316 Stainless Steel
L = Polished 316L Stainless Steel (Ra = 32μ-inches, 0.8μ-meters)
M = High Polished 316L Stainless Steel (Ra = 20-28μ-inches, 0.5-0.7μ-meters)

3 BLADDER MATERIAL

E = EPDM
N = Buna-N
T = PTFE

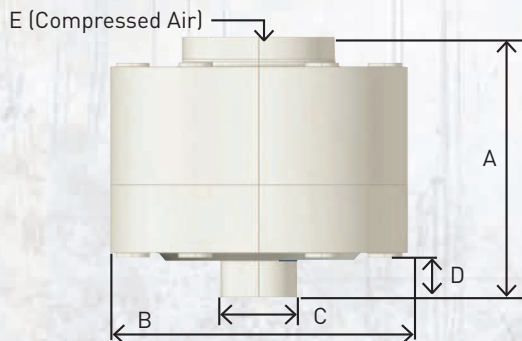
4 MATERIAL OF AIRSIDE

H = Polyethylene
J = Conductive Polyethylene



Metallic Product Dimensions (NPT and BSP Connectons)

	PD-050-XXXX	PD-075-XXXX	PD-100-XXXX	PD-150-XXXX	PD-200-XXXX	PD-300-XXXX
Housing Material	Alu	Alu	SS	Alu	SS	SS
A	3.90"	3.90"	5.55"	5.47"	5.55"	6.69"
B	4.25"	4.25"	5.91"	6.14"	5.91"	8.03"
C	1/2"	3/4"	3/4"	1"	1"	1-1/2"
D	0.47"	0.59"	0.71"	0.79"	0.71"	0.75"
E	1/8"	1/8"	1/8"	1/8"	1/8"	1/4"



Plastic Product Dimensions (NPT and BSP Connectons)

	PD-038-XXXX	PD-050-XXXX	PD-100-XXXX	PD-150-XXXX	PD-200-XXXX	PD-300-XXXX
A	3.39"	3.86"	5.39"	6.69"	8.50"	11.30"
B	2.99"	4.33"	6.14"	8.03"	10.75"	14.17"
C	3/8"	1/2"	1"	1-1/2"	2"	3"
D	0.43"	0.51"	0.71"	0.70"	1.18"	1.02"
E	1/8"	1/8"	1/8"	1/4"	1/4"	1/2"



AUTO/PLATING & FINISHING




CERAMIC SLIP / GLAZE



CHEMICAL / PETROCHEMICAL



FOOD & BEVERAGE



MINING



OEMS



OIL & GAS / REFINERY



PAINT & COATING

ALL-FLO is committed to the pursuit of designing and manufacturing the highest quality product available to industry. Since the beginning in 1986, All-Flo engineers have used their extensive knowledge of today's engineered materials, advanced air system logic and manufacturing techniques to develop the superior group of lube-free, air-operated diaphragm pumps found in this catalog. Every pump is performance engineered and quality built to provide trouble-free service under the toughest conditions.

YOUR AUTHORIZED ALL-FLO DISTRIBUTOR



7750 Tyler Blvd.
Mentor, Ohio 44060
phone: 440.354.1700
fax: 440.354.9466
all-flo.com

13965-PDxxx-Rev_A5