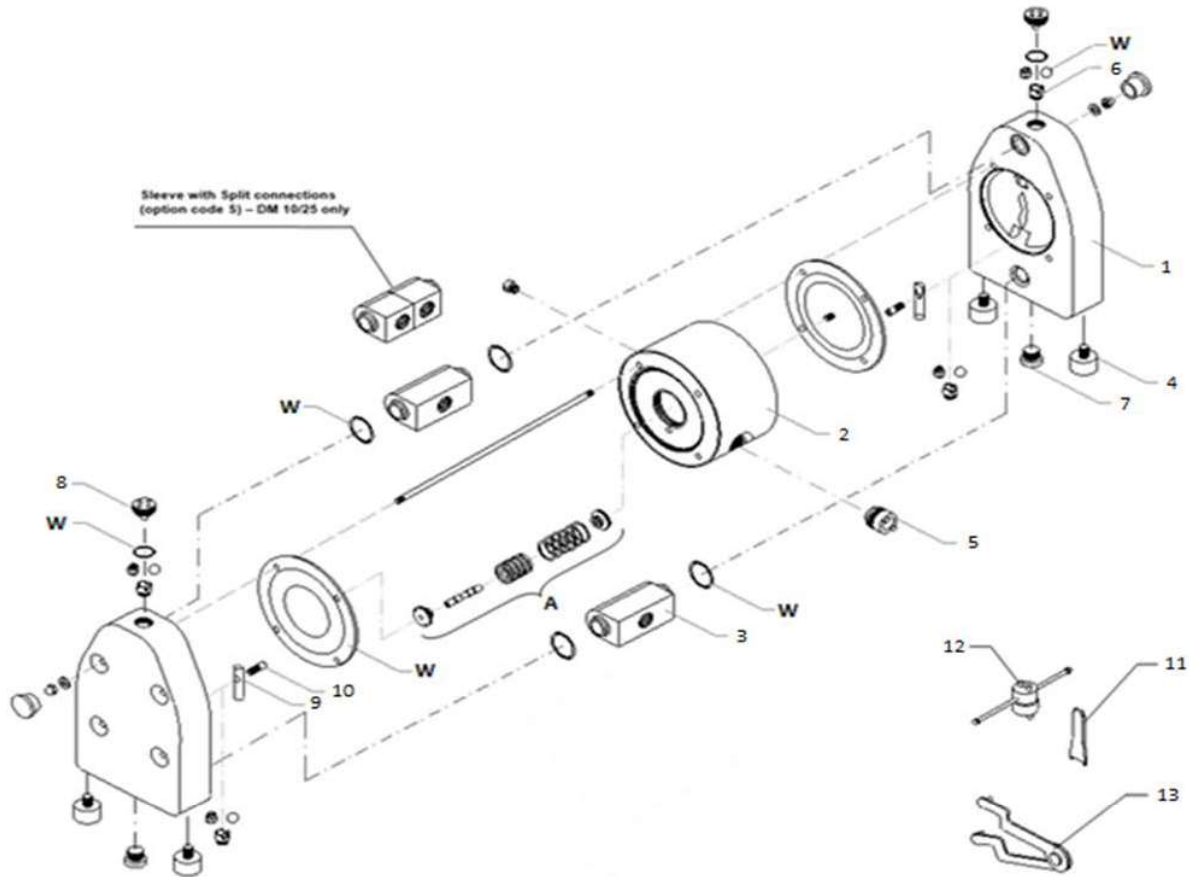


# Exploded View & Parts List

T025, T038



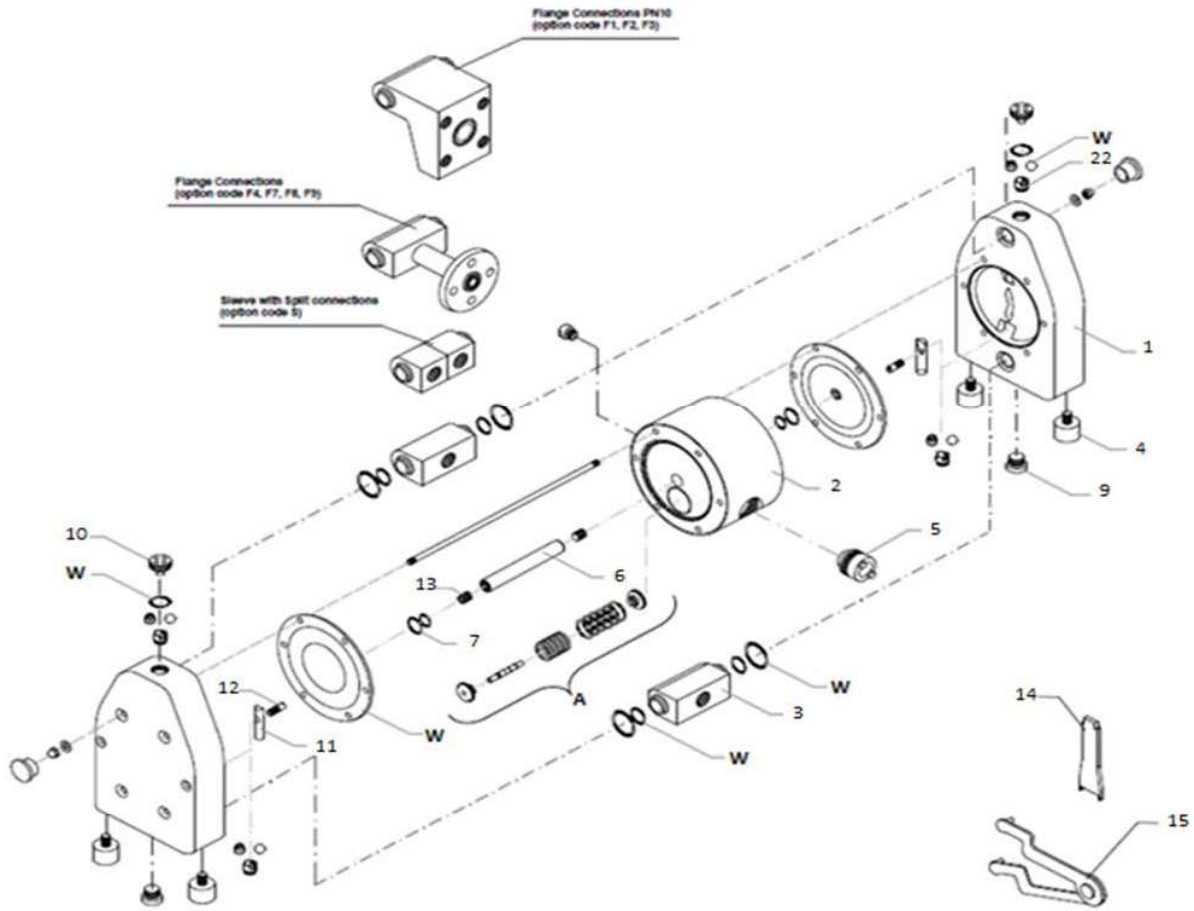
## Parts List for T025 Pumps

T025				
ITEM	PART NUMBER	QTY	DESCRIPTION	MATERIAL
1	HP-2 08 01 23	2	Pump housing	PTFE
2	HP-1 08 10 20	1	Center housing	PE
3	HP-2 08 30 23	2	Suction/Discharge ports BSP	PTFE
	HP-2 08 30 23		Suction/Discharge ports NPT	PTFE
	n/a		Suction/Discharge ports-twin (split connection) NPT	PTFE
	n/a	Suction/Discharge ports-twin (split connection) BSP	PTFE	
	HP-2 08 33 23	1	Suction port-drum	PTFE
4	HP-1 08 69 06	4	Shock absorber	NR/St37
5	HP-1 08 99 35	1	Muffler	PE porous
6	HP-2 08 54 23	4	Valve seat	PTFE
7	HP-2 08 59 23	2	Plug lower	PTFE
8	HP-2 08 055 23	2	Plug upper	PTFE
9	HP-2 08 39 23	2	Valve stopper	PTFE
10	HP-2 08 38 23	2	Bolt	PTFE
11	HP-1 08 254 50	1	Valve seat key	AISI 304
12	HP-1 08 158 00	1	Upper/lower plug key (SK1, *- SK2)	diverse
13	HP-1 08 58 00	1	Air valve key (SK4)	diverse
REPAIR KITS				
A	TAK-025	KIT	Air valve	PET/NBR
W	TWE-025-PTTT	KIT	PTFE WET KIT	
		2	Diaphragm	TFM /PTFE
		4	Valve balls	PTFE
		4	Sealing inlet/outlet	FEP/FPM
		2	Plug upper sealing	FEP/FPM
		1	Muffler	PE porous

## Parts List for T038 Pumps

T038				
ITEM	PART NUMBER	QTY	DESCRIPTION	MATERIAL
1	HP-2 10 01 23	2	Pump housing	PTFE
2	HP-1 10 10 20	1	Center housing	PE
3	HP-2 10 30 23	2	Suction/Discharge ports BSP	PTFE
	HP-2 10 30 23		Suction/Discharge ports NPT	PTFE
	HP-2 10 31 23NPT		Suction/Discharge ports-twin (split connection) NPT	PTFE
	HP-2 10 31 23BSP	Suction/Discharge ports-twin (split connection) BSP	PTFE	
	HP-2 10 33 23	1	Suction port-drum	PTFE
4	HP-1 08 69 06	4	Shock absorber	NR/St37
5	HP-1 08 99 35	1	Muffler	PE porous
6	HP-2 10 54 23	4	Valve seat	PTFE
7	HP-2 10 59 23	2	Plug lower	PTFE
8	HP-2 10 055 23	2	Plug upper	PTFE
9	HP-2 10 39 23	2	Valve stopper	PTFE
10	HP-2 10 38 23	2	Bolt	PTFE
11	HP-1 10 254 50	1	Valve seat key	AISI 304
12	HP-1 10 158 00*	1	Upper/lower plug key (SK1, *- SK2)	diverse
13	HP-1 08 58 00	1	Air valve key (SK4)	diverse
REPAIR KITS				
A	TAK-038	KIT	Air valve	PET/NBR
W	TWE-038-PTTT	KIT	PTFE WET KIT	
		2	Diaphragm	TFM /PTFE
		4	Valve balls	PTFE
		4	Sealing inlet/outlet	FEP/FPM
		2	Plug upper sealing	FEP/FPM
		1	Muffler	PE porous

# T050, T100



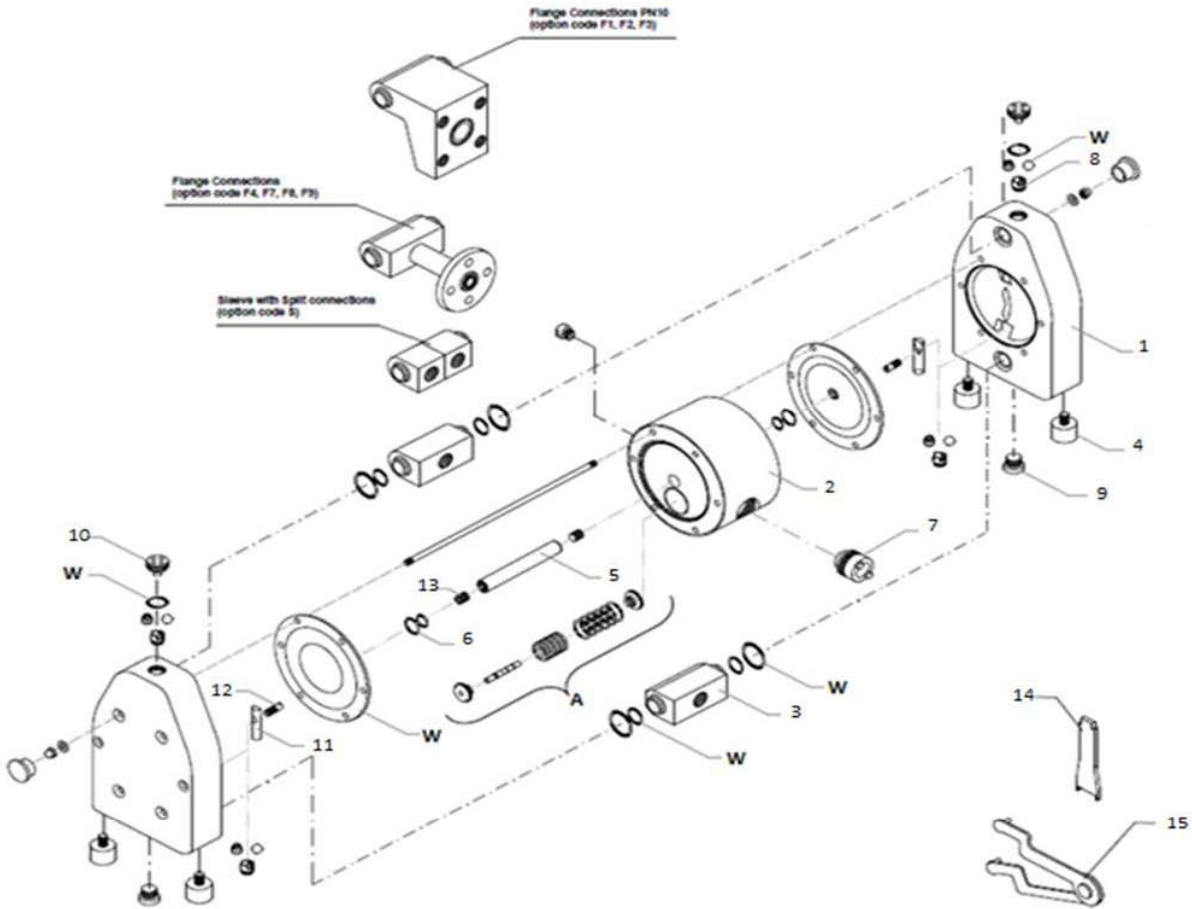
## Parts List for T050 Pumps

T050				
ITEM	PART NUMBER	QTY	DESCRIPTION	MATERIAL
1	HP-2 15 01 23	2	Pump housing	PTFE
2	HP-1 15 10 20	1	Center housing	PE
3	HP-2 15 30 23	2	Suction/Discharge ports BSP	PTFE
	HP-2 15 30 23		Suction/Discharge ports NPT	PTFE
	HP-2 15 125 33		Suction/Discharge ports ANSI Flange	PTFE
	HP-2 15 25 33		Suction/Discharge ports DIN Flange	PTFE
	HP-2 15 525 23		Suction/Discharge ports JIS Flange	PTFE
		HP-2 15 31 23		Suction/Discharge ports-twin
	HP-2 15 33 23	1	Suction port-drum	PTFE
4	HP-1 15 69 06	4	Shock absorber	NR/St37
5	HP-1 15 99 35	1	Muffler	PE porous
6	HP-1 15 40 50	1	Shaft	AISI 304
7	HP-1 15 85 22	2	Center housing seal	PE
8	HP-2 15 54 23	4	Valve seat	PTFE
9	HP-2 15 59 23	2	Plug lower	PTFE
10	HP-2 15 055 23	2	Plug upper	PTFE
11	HP-2 15 39 23	2	Valve stopper	PTFE
12	HP-2 15 38 23	2	Bolt	PTFE
13	HP-1 15 540 50	2	Shaft allen pin screw	AISI 304
14	HP-1 15 254 50	1	Valve seat key	AISI 304
15	HP-1 08 58 00	1	Upper/lower plugs and air valve key (SK3, SK4)	diverse
REPAIR KITS				
A	TAK-050	KIT	Air valve	PET/NBR
W	TWE-050-PTTT	KIT	PTFE WET KIT	
		2	Diaphragm	TFM/PTFE
		4	Valve balls	PTFE
		4	Sealing inlet/outlet	FEP/FPM
		2	Plug upper sealing	FEP/FPM
		1	Muffler	PE porous

## Parts List for T100 Pumps

T100				
ITEM	PART NUMBER	QTY	DESCRIPTION	MATERIAL
1	HP-2 25 01 23	2	Pump housing	PTFE
2	HP-1 25 10 20	1	Center housing	PE
3	HP-2 25 30 23	2	Suction/Discharge ports BSP	PTFE
	HP-2 25 30 23		Suction/Discharge ports NPT	PTFE
	HP-2 25 125 33		Suction/Discharge ports ANSI Flange	PTFE
	HP-2 25 25 33		Suction/Discharge ports DIN Flange	PTFE
	HP-2 25 525 23		Suction/Discharge ports JIS Flange	PTFE
		HP-2 25 31 23		Suction/Discharge ports-twin
	HP-2 25 33 23	1	Suction port-drum	PTFE
4	HP-1 25 69 06	4	Shock absorber	NR/St37
5	HP-1 15 99 35	1	Muffler	PE porous
6	HP-1 25 40 50	1	Shaft	AISI 304
7	HP-1 25 85 22	2	Center housing seal	PE
8	HP-2 25 54 23	4	Valve seat	PTFE
9	HP-2 25 59 23	2	Plug lower	PTFE
10	HP-2 25 055 23	2	Plug upper	PTFE
11	HP-2 25 39 23	2	Valve stopper	PTFE
12	HP-2 25 38 23	2	Bolt	PTFE
13	HP-1 25 540 50	2	Shaft allen pin screw	AISI 304
14	HP-1 25 254 50	1	Valve seat key	AISI 304
15	HP-1 08 58 00	1	Upper/lower plugs and air valve key (SK3, SK4)	diverse
REPAIR KITS				
A	TAK-100	KIT	Air valve	PET/NBR
W	TWE-100-PTTT	KIT	PTFE WET KIT	
		2	Diaphragm	TFM/PTFE
		4	Valve balls	PTFE
		4	Sealing inlet/outlet	PTFE/FPM
		2	Plug upper sealing	FEP/FPM
		1	Muffler	PE porous

T150, T200



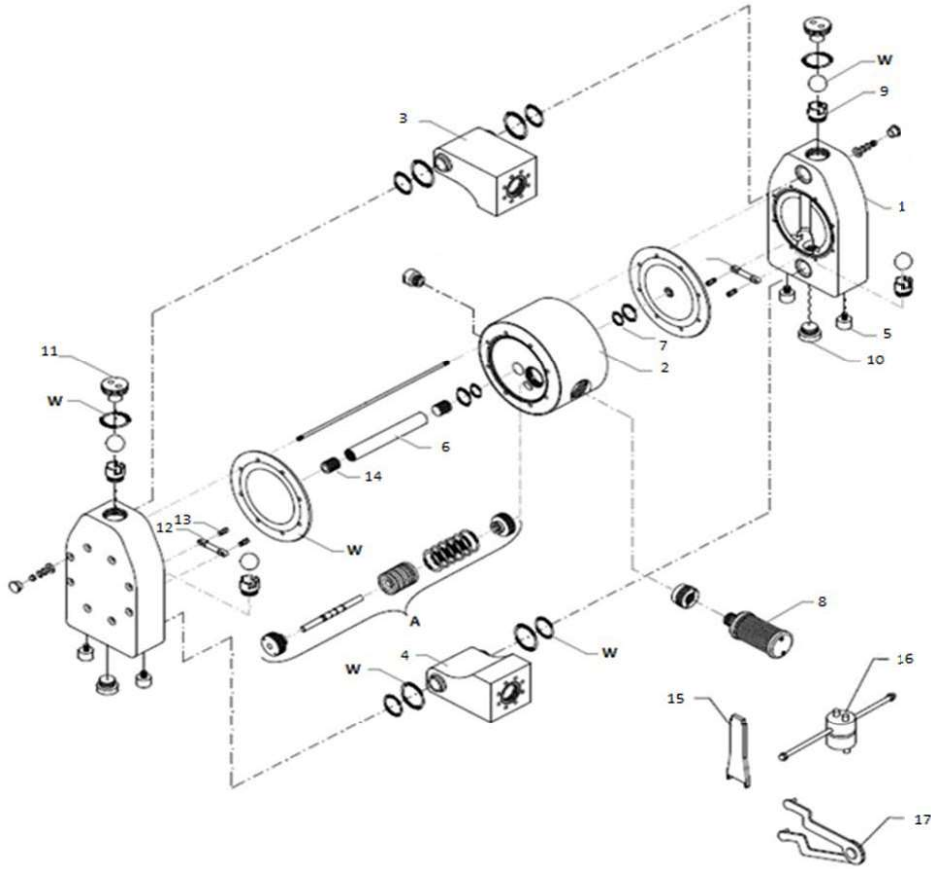
## Parts List for T150 Pumps

T150				
ITEM	PART NUMBER	QTY	DESCRIPTION	MATERIAL
1	HP-2 40 01 23	2	Pump housing	PTFE
2	HP-1 40 10 20	1	Center housing	PE
3	HP-2 40 30 23	2	Suction/Discharge ports BSP	PTFE
	HP-2 40 30 23		Suction/Discharge ports NPT	PTFE
	HP-2 40 125 33		Suction/Discharge ports ANSI Flange	PTFE
	HP-2 40 25 33		Suction/Discharge ports DIN Flange	PTFE
	HP-2 40 525 23		Suction/Discharge ports JIS Flange	PTFE
	HP-2 40 31 23		Suction/Discharge ports-twin	PTFE
	HP-2 40 33 23	1	Suction port-drum	PTFE
4	HP-1 40 69 06	4	Shock absorber	NR/St37
5	HP-1 40 40 50	1	Shaft	AISI 304
6	HP-1 40 85 22	2	Center housing seal	PE
7	HP-1 40 99 35	1	Muffler	PE porous
8	HP-2 40 54 23	4	Valve seat	PTFE
9	HP-2 40 59 23	2	Plug lower	PTFE
10	HP-2 40 055 23	2	Plug upper	PTFE
11	HP-2 40 39 23	2	Valve stopper	PTFE
12	HP-2 40 38 23	2	Bolt	PTFE
13	HP-1 40 540 50	2	Shaft allen pin screw	AISI 304
14	HP-1 40 254 50	1	Valve seat key	AISI 304
15	HP-1 08 58 00	1	Upper/lower plugs and air valve key (SK3, SK4)	diverse
REPAIR KITS				
A	TAK-150	KIT	Air valve	PET/NBR
W	TWE-150-PTTT	KIT	PTFE WET KIT	
		2	Diaphragm	TFM/PTFE
		4	Valve balls	PTFE
		4	Sealing inlet/outlet - SET	PTFE/FPM
		2	Plug upper sealing	FEP/FPM
		1	Muffler	PE porous

## Parts List for T200 Pumps

T200				
ITEM	PART NUMBER	QTY	DESCRIPTION	MATERIAL
1	HP-2 50 01 23	2	Pump housing	PTFE
2	HP-1 50 10 20	1	Center housing	PE
3	HP-2 50 30 23	2	Suction/Discharge ports BSP	PTFE
	HP-2 50 30 23		Suction/Discharge ports NPT	PTFE
	HP-2 50 125 33		Suction/Discharge ports ANSI Flange	PTFE
	HP-2 50 25 33		Suction/Discharge ports DIN Flange	PTFE
	HP-2 50 525 23		Suction/Discharge ports JIS Flange	PTFE
	HP-2 50 31 23		Suction/Discharge ports-twin	PTFE
	HP-2 50 33 23	1	Suction port-drum	PTFE
4	HP-1 40 69 06	4	Shock absorber	NR/St37
5	HP-1 50 40 50	1	Shaft	AISI 304
6	HP-1 50 85 22	2	Center housing seal	PE
7	HP-1 50 99 35	1	Muffler	PE porous
8	HP-2 50 54 23	4	Valve seat	PTFE
9	HP-2 50 59 23	2	Plug lower	PTFE
10	HP-2 50 055 23	2	Plug upper	PTFE
11	HP-2 50 39 23	2	Valve stopper	PTFE
12	HP-2 50 38 23	2	Bolt	PTFE
13	HP-1 50 540 50	2	Shaft allen pin screw	AISI 304
14	HP-1 50 254 50	1	Valve seat key	AISI 304
15	HP-1 08 58 00	1	Upper/lower plugs and air valve key (SK3, SK4)	diverse
REPAIR KITS				
A	TAK-200	KIT	Air valve	PET/NBR
W	TWE-200-PTTT	KIT	PTFE WET KIT	
		2	Diaphragm	TFM/PTFE
		4	Valve balls	PTFE
		4	Sealing inlet/outlet - SET	PTFE/FPM
		2	Plug upper sealing	FEP/FPM
		1	Muffler	PE porous

# T300



# Parts List for T300 Pumps

T300				
ITEM	PART NUMBER	QTY	DESCRIPTION	MATERIAL
1	HP-2 80 01 20	2	Pump Housing	PE
	HP-2 80 01 21			PE Conductiive
2	HP-1 80 10 20	1	Center Housing	PE
	HP-1 80 10 21			PE Conductiive
3	HP-2 80 25 20	2	Suction Port	PE
	HP-2 80 25 21		PE Conductiive	
4	HP-2 80 025 20		Discharge Port	PE
	HP-2 80 025 21		PE Conductiive	
5	HP-1 80 69 06	4	Shock absorber	NR/St37
6	HP-1 80 40 50	1	Shaft	AISI 304
7	HP-1 80 85 22	2	Center housing seal	PE
8	HP-1 80 99 00	1	Muffler	Diverse
9	HP-2 80 54 20	4	Valve seat	PE
	HP-2 80 54 21			PE Conductiive
10	HP-2 80 59 20	2	Plug lower	PE
	HP-2 80 59 21			PE Conductiive
11	HP-2 80 55 20	2	Plug upper	PE
	HP-2 80 55 21			PE Conductiive
12	HP-2 80 39 20	2	Valve stopper	PE
	HP-2 80 39 21			PE Conductiive
13	HP-2 80 38 20	2	Bolt	PE
	HP-2 80 38 21			PE Conductiive
14	HP-1 80 540 50	2	Shaft allen pin screw	AISI 304
15	HP-1 80 254 50	1	Valve seat key	AISI 304
16	HP-1 80 158 00	1	Upper/lower plugs key (SK5)	Diverse
17	HP-1 08 58 00	1	Air valve key (SK4)	Diverse
REPAIR KITS				
A	TAK-300	KIT	Air valve	PET/NBR
W	TWE-300-PTTT	KIT	PTFE WET KIT	
		2	Diaphragm	TFM/PTFE
		4	Valve balls	PTFE
		4	Sealing inlet/outlet - SET	FEP-FKM/FKM
		2	Plug upper sealing	FEP/FKM
		1	Muffler	Diverse