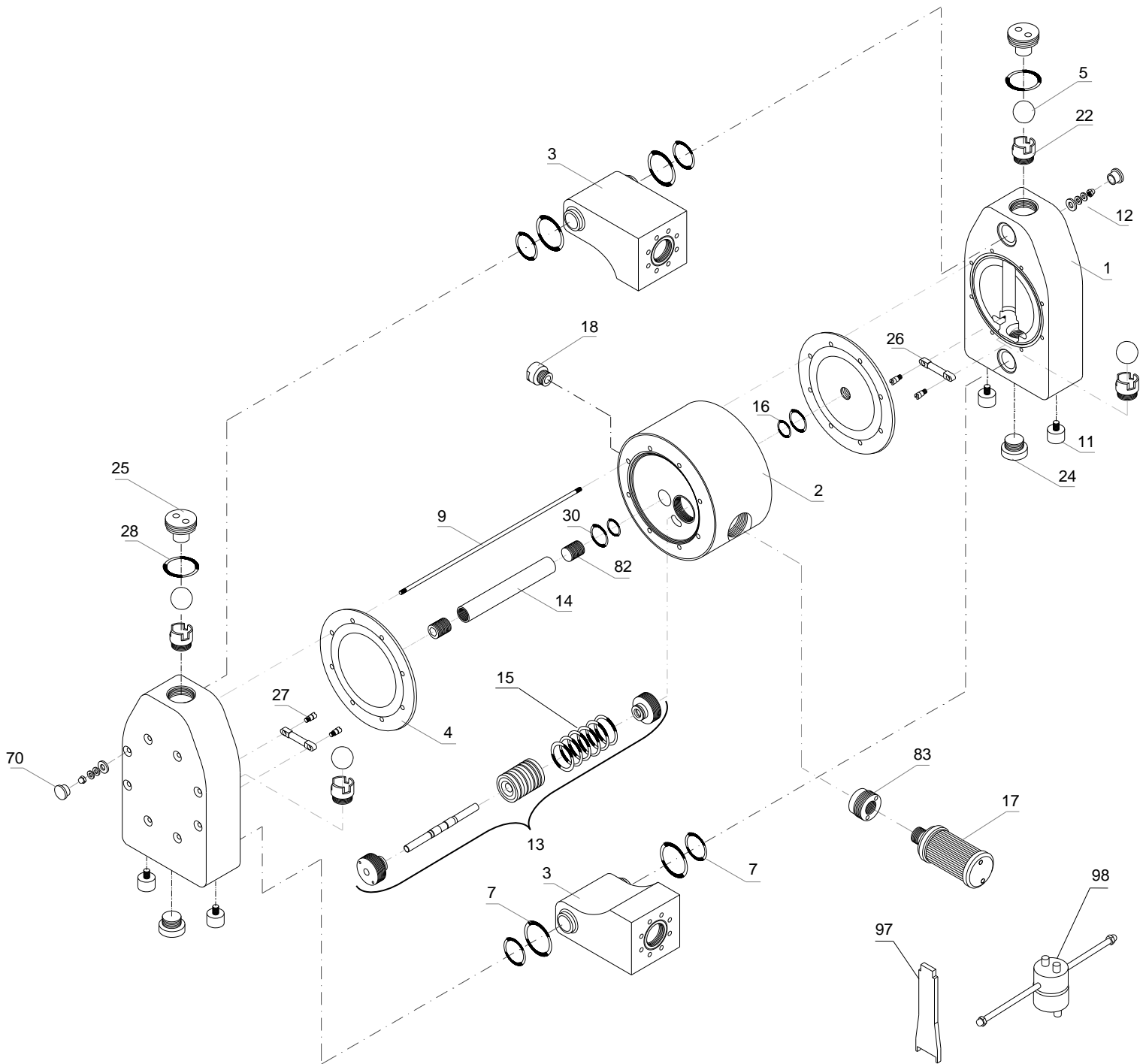


Exploded View & Parts List

P300



Parts List for P300

				P300
1	2	Pump housing	PE	HP-2 80 01 20
			PE conductive	HP-2 80 01 21
2	1	Center housing	PE	HP-1 80 10 20
			PE conductive	HP-1 80 10 21
3	1	Suction port	PE	HP-2 80 25 20
			PE conductive	HP-2 80 25 21
	1	Discharge port	PE	HP-2 80 025 20
			PE conductive	HP-2 80 025 21
4	2	Diaphragm	TFM/PTFE	HP-1 80 50 05
			EPDM	HP-1 80 50 08
			NBR	HP-1 80 50 10
5	4	Valve balls	PTFE	HP-1 80 60 23
			EPDM	HP-1 80 60 08
			NBR	HP-1 80 60 10
7	4	Sealing inlet/outlet - SET	EPDM/EPDM	HP-2 80 70 08
			PTFE/FPM	HP-2 80 73 14
			PTFE/EPDM	HP-2 80 73 15
			PTFE-c./FPM	HP-2 80 73 16
			PTFE-c./EPDM	HP-2 80 73 17
9	8	Housing bolt	AISI 304	HP-2 80 042 50
11	4	Shock absorber	NR/St37	HP-1 80 69 06
12	16	Nut with washer, cpl.	AISI 304	HP-2 80 045 50
13	1	Air valve	PET/NBR	HP-1 80 020 31
			PET/FPM	HP-1 80 020 32
14	1	Shaft	AISI 304	HP-1 80 40 50
15	6	O-ring	NBR	HP-1 40 87 10
			FPM	HP-1 40 87 09
16	2	Center housing seal	PE	HP-1 80 85 22
17	1	Muffler	Diverse	HP-1 80 99 00
18	1	Air adapter	PP	HP-1 80 46 28
22	4	Valve seat	PE	HP-2 80 54 20
			PE-conductive	HP-2 80 54 21
24	2	Plug lower	PE	HP-2 80 59 20
			PE-conductive	HP-2 80 59 21
25	2	Plug upper	PE	HP-2 80 55 20
			PE conductive	HP-2 80 55 21
26	2	Valve stopper	PE	HP-2 80 39 20
			PE conductive	HP-2 80 39 21
27	4	Bolt	PE	HP-2 80 38 20
			PE conductive	HP-2 80 38 21
28	2	Plug upper sealing	FEP/FPM	HP-2 80 78 04
			EPDM	HP-2 80 78 08

			NBR	HP-2 80 78 10
30	2	O-ring for center housing seal	NBR	HP-1 80 85 10
35	1	Center housing complete	PE	HP-1 80 11 20
			PE conductive	HP-1 80 11 21
70	16	Pump housing plug	PE	HP-2 80 058 20
82	2	Shaft allen pin screw	AISI 304	HP-1 80 540 50
83	1	Muffler adapter	PE	HP-1 80 299 20
97	1	Valve seat key	AISI 304	HP-1 80 254 50
98	1	Upper/lower plugs key (SK5)	diverse	HP-1 80 158 00
99	1	Air valve (SK4)	diverse	HP-1 08 58 00