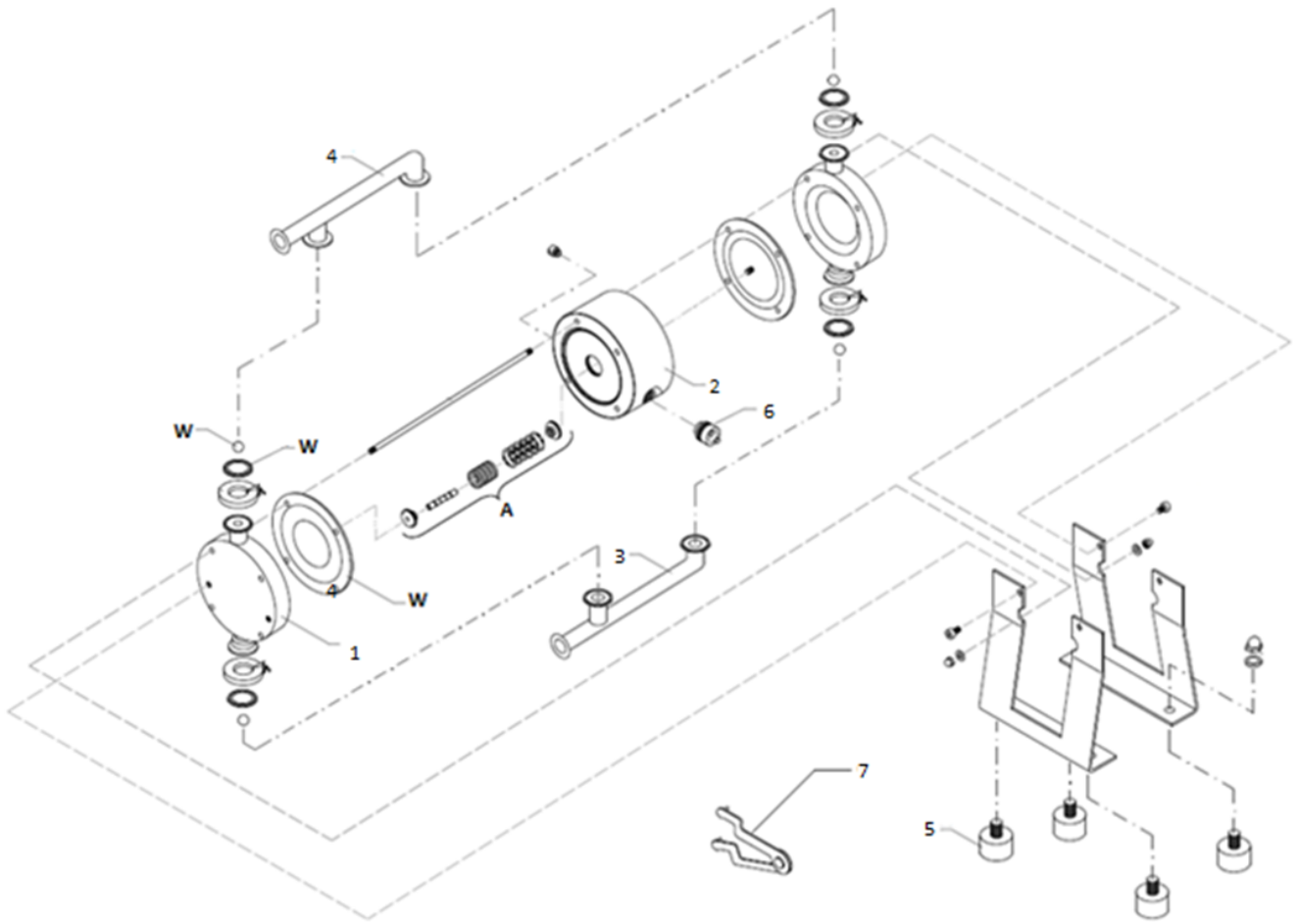


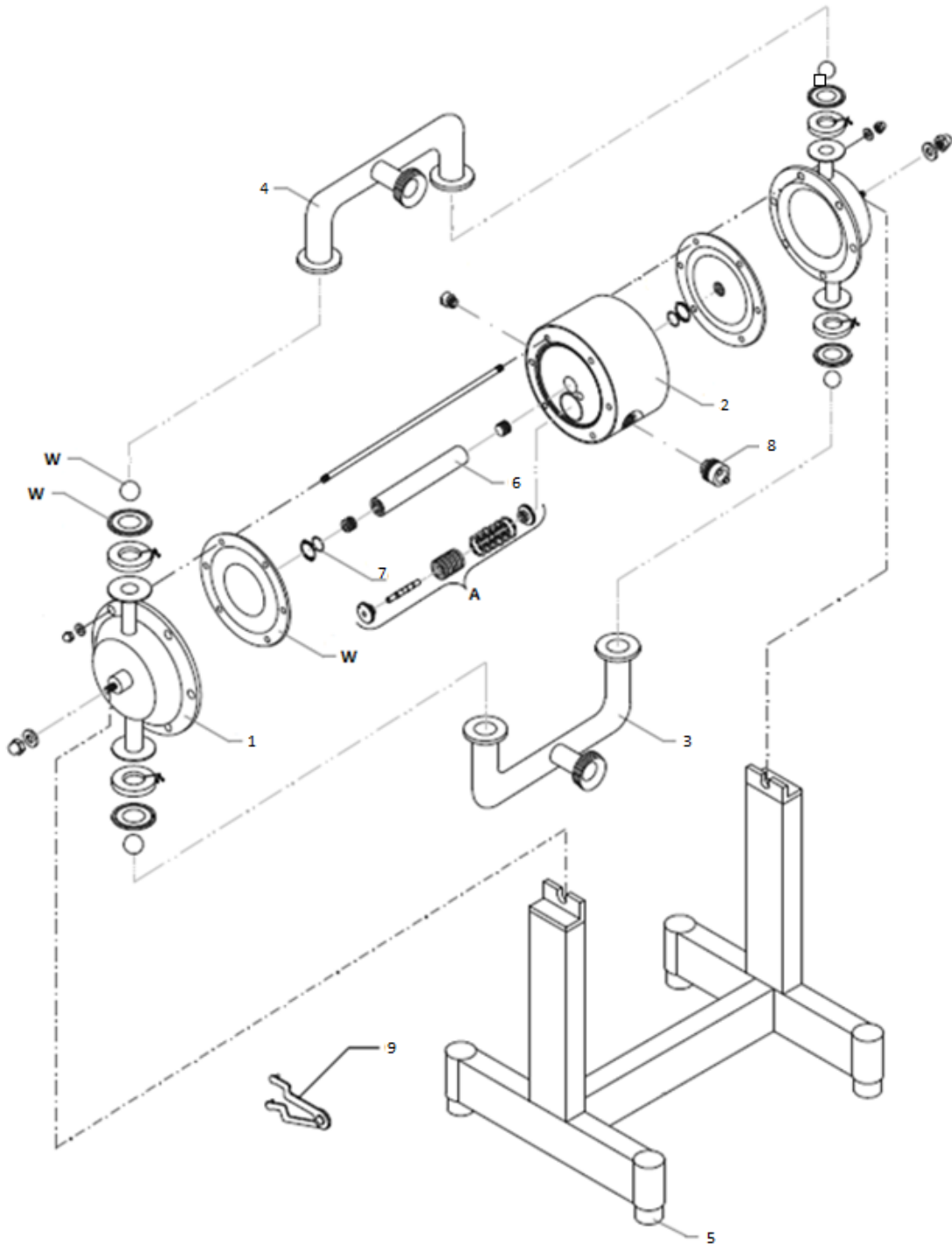
# H038 - EXPLODED VIEW



H038 - PARTS LIST

<b>H038</b>				
<b>ITEM</b>	<b>PART NUMBER</b>	<b>QTY</b>	<b>DESCRIPTON</b>	<b>MATERIAL</b>
<b>1</b>	HP-4 15 01 53	2	Pump housing	AISI 316 L
<b>2</b>	HP-1 10 10 20	1	Center housing	PE
	HP-1 10 10 21			PE cond.
<b>3</b>	HP-4 15 30 53	1	Manifold inlet DIN	AISI 316 L
	HP-4 15 32 53		Manifold inlet TC	AISI 316 L
<b>4</b>	HP-4 15 33 53	1	Manifold outlet DIN	AISI 316 L
	HP-4 15 35 53		Manifold outlet TC	AISI 316 L
<b>5</b>	HP-1 15 69 52	4	Shock absorber	NR/SS
<b>6</b>	HP-1 08 99 35	1	Muffler	PE porous
<b>7</b>	HP-1 08 58 00	1	Air valve key (SK4)	Various
<b>REPAIR KITS</b>				
<b>A</b>	HAK-038	KIT	Air valve	PET/NBR
<b>W</b>	HWE-038-NTTN	KIT	BUNA-N WET KIT	
	HWE-038-ETTE	KIT	EPDM WET KIT	
	HWE-038-PTTT	KIT	PTFE WET KIT	

# H050 & H100 - EXPLODED VIEW



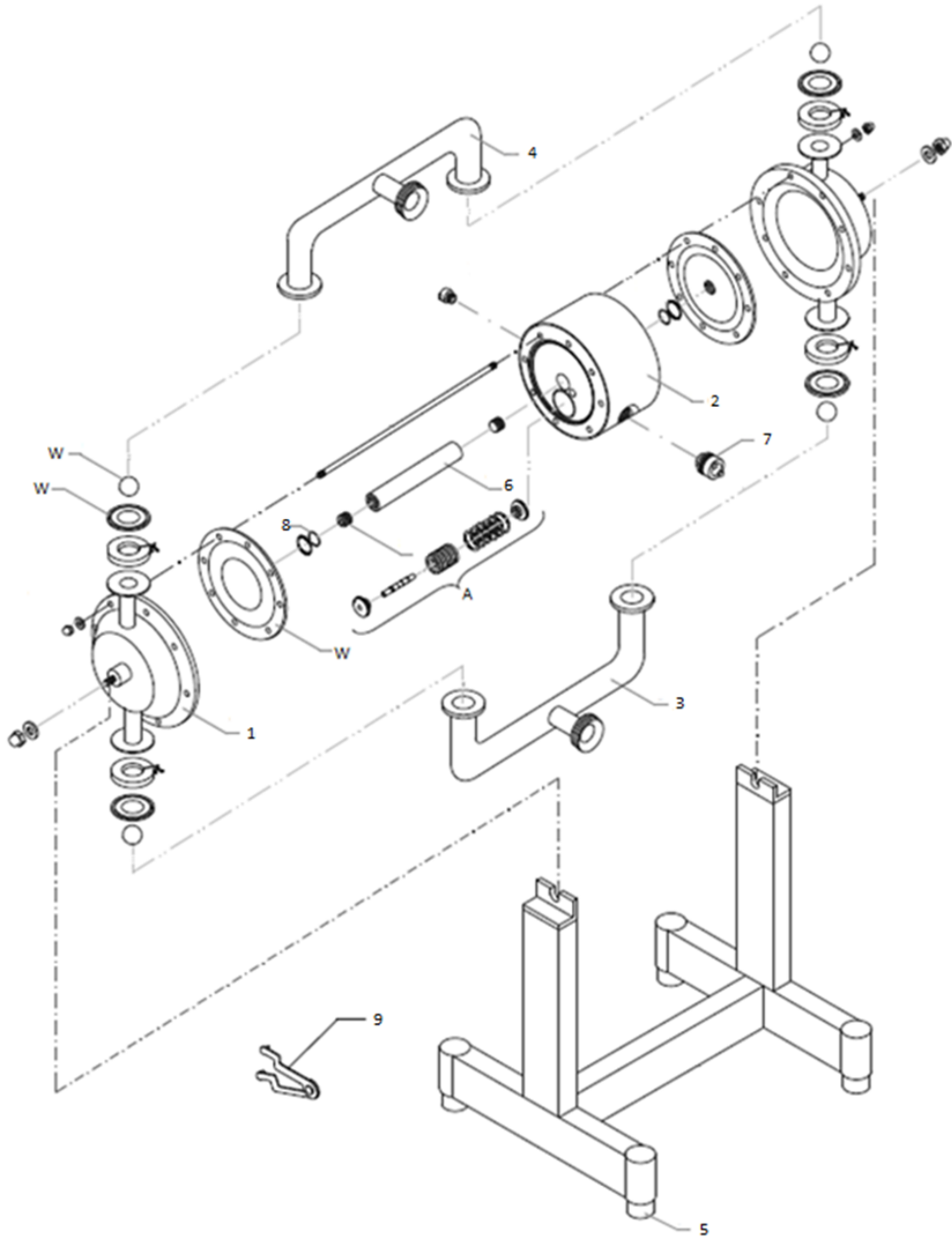
H050 - PARTS LIST

<b>H050</b>				
<b>ITEM</b>	<b>PART NUMBER</b>	<b>QTY</b>	<b>DESCRIPTON</b>	<b>MATERIAL</b>
<b>1</b>	HP-4 25 01 53	2	Pump housing	AISI 316 L
<b>2</b>	HP-1 15 10 20	1	Center housing	PE
	HP-1 15 10 21			PE conductive
<b>3</b>	HP-4 25 30 53	1	Manifold inlet DIN	AISI 316 L
	HP-4 25 31 53		Manifold inlet SMS	AISI 316 L
	HP-4 25 32 53		Manifold inlet TC	AISI 316 L
<b>4</b>	HP-4 25 33 53	1	Manifold outlet DIN	AISI 316 L
	HP-4 25 34 53		Manifold outlet SMS	AISI 316 L
	HP-4 25 35 53		Manifold outlet TC	AISI 316 L
<b>5</b>	HP-1 15 69 52	4	Shock absorber	NR/SS
<b>6</b>	HP-1 15 40 50	1	Shaft	AISI 304
<b>7</b>	HP-1 15 85 22	2	Center housing seal	PE
<b>8</b>	HP-1 15 99 35	1	Muffler	PE porous
<b>9</b>	HP-1 08 58 00	1	Air valve key (SK4)	diverse
<b>REPAIR KITS</b>				
<b>A</b>	HAK-050	1	Air valve	PET/NBR
<b>W</b>	HWE-050-NTTN	KIT	BUNA-N WET KIT	
	HWE-050-ETTE	KIT	EPDM WET KIT	
	HWE-050-PTTT	KIT	PTFE WET KIT	

## H100 – PARTS LIST

<b>H100</b>				
<b>ITEM</b>	<b>PART NUMBER</b>	<b>QTY</b>	<b>DESCRIPTON</b>	<b>MATERIAL</b>
<b>1</b>	HP-4 40 01 53	2	Pump housing	AISI 316 L
<b>2</b>	HP-1 25 10 20	1	Center housing	PE
	HP-1 25 10 21			PE conductive
<b>3</b>	HP-4 40 30 53	2	Manifold inlet DIN	AISI 316 L
	HP-4 40 31 53		Manifold inlet SMS	AISI 316 L
	HP-4 40 32 53		Manifold inlet TC	AISI 316 L
<b>4</b>	HP-4 40 33 53	2	Manifold outlet DIN	AISI 316 L
	HP-4 40 34 53		Manifold outlet SMS	AISI 316 L
	HP-4 40 35 53		Manifold outlet TC	AISI 316 L
<b>5</b>	HP-1 15 69 52	4	Shock absorber	NR/SS
<b>6</b>	HP-1 25 40 50	1	Shaft	AISI 304
<b>7</b>	HP-1 15 99 35	1	Muffler	PE porous
<b>8</b>	HP-1 25 85 22	2	Center housing seal	PE
<b>9</b>	HP-1 08 58 00	1	Air valve key (SK4)	diverse
<b>REPAIR KITS</b>				
<b>A</b>	HAK-100	1	Air valve	PET/NBR
<b>W</b>	HWE-100-NTTN	KIT	BUNA-N WET KIT	
	HWE-100-ETTE	KIT	EPDM WET KIT	
	HWE-100-PTTT	KIT	PTFE WET KIT	

# H150 & H200 - EXPLODED VIEW



## H150 – PARTS LIST

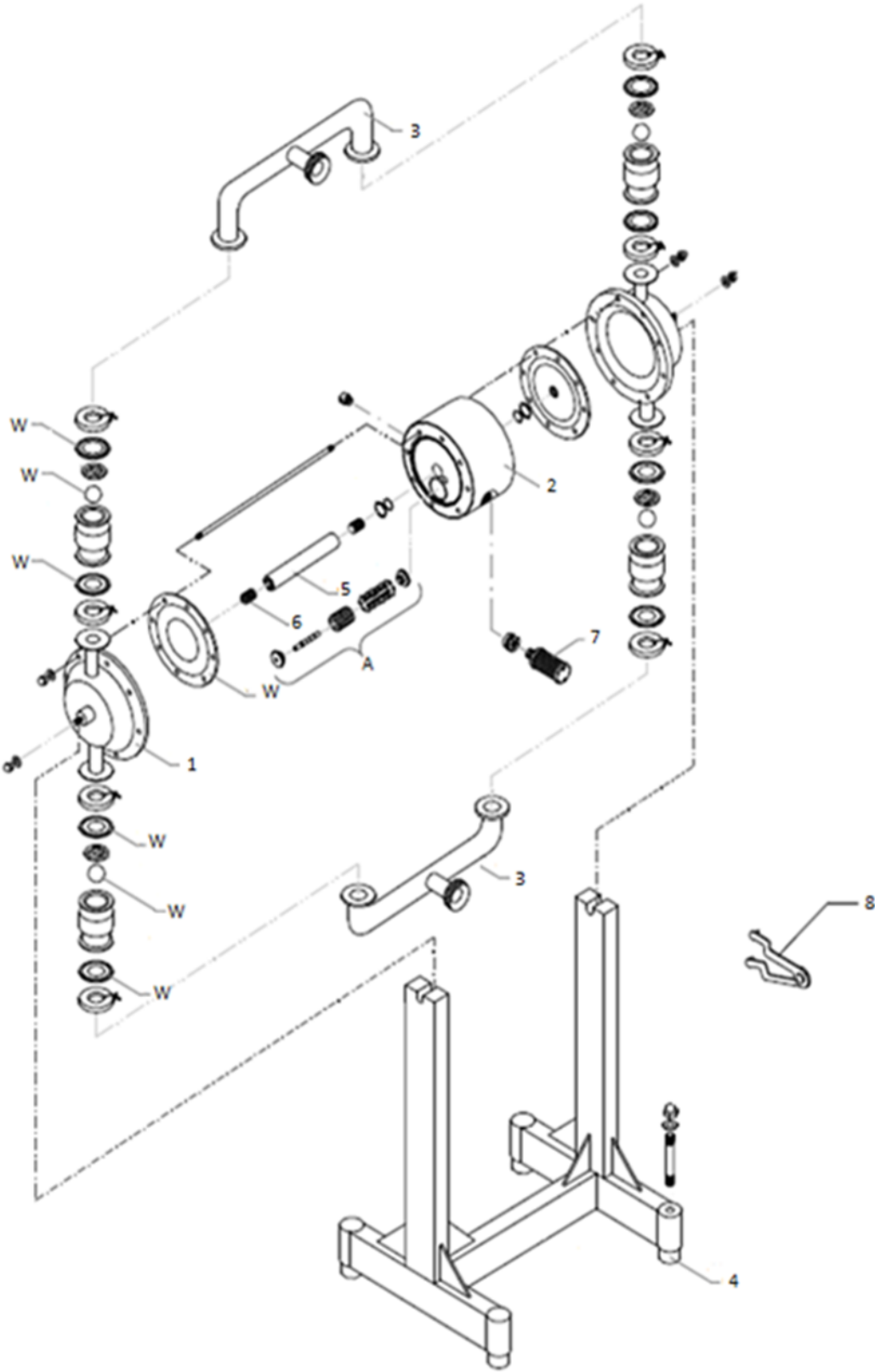
<b>H150</b>				
<b>ITEM</b>	<b>PART NUMBER</b>	<b>QTY</b>	<b>DESCRIPTON</b>	<b>MATERIAL</b>
<b>1</b>	HP-4 50 01 53	2	Pump housing	AISI 316 L
<b>2</b>	HP-1 40 10 20	1	Center housing	PE
	HP-1 40 10 21			PE conductive
<b>3</b>	HP-4 50 30 53	2	Manifold inlet DIN	AISI 316 L
	HP-4 50 31 53		Manifold inlet SMS	AISI 316 L
	HP-4 50 32 53		Manifold inlet TC	AISI 316 L
<b>4</b>	HP-4 50 33 53	2	Manifold outlet DIN	AISI 316 L
	HP-4 50 34 53		Manifold outlet SMS	AISI 316 L
	HP-4 50 35 53		Manifold outlet TC	AISI 316 L
<b>5</b>	HP-1 15 69 52	4	Shock absorber	NR/SS
<b>6</b>	HP-1 40 40 50	1	Shaft	AISI 304
<b>7</b>	HP-1 40 99 35	1	Muffler	PE porous
<b>8</b>	HP-1 40 85 22	2	Center housing seal	PE
<b>9</b>	HP-1 08 58 00	1	Air valve key (SK4)	diverse
<b>REPAIR KITS</b>				
<b>A</b>	HAK-150	1	Air valve	PET/NBR
<b>W</b>	HWE-150-NTTN	KIT	BUNA-N WET KIT	
	HWE-150-ETTE	KIT	EPDM WET KIT	
	HWE-150-PTTT	KIT	PTFE WET KIT	

## H200 – PARTS LIST

<b>H200</b>				
<b>ITEM</b>	<b>PART NUMBER</b>	<b>QTY</b>	<b>DESCRIPTON</b>	<b>MATERIAL</b>
<b>1</b>	HP-4 65 01 53	2	Pump housing	AISI 316 L
<b>2</b>	HP-1 50 10 20	1	Center housing	PE
	HP-1 50 10 21			PE conductive
<b>3</b>	HP-4 65 30 53	2	Manifold inlet DIN	AISI 316 L
	HP-4 65 31 53		Manifold inlet SMS	AISI 316 L
	HP-4 65 32 53		Manifold inlet TC	AISI 316 L
<b>4</b>	HP-4 65 33 53	2	Manifold outlet DIN	AISI 316 L
	HP-4 65 34 53		Manifold outlet SMS	AISI 316 L
	HP-4 65 35 53		Manifold outlet TC	AISI 316 L
<b>5</b>	HP-1 15 69 52	4	Shock absorber	NR/SS
<b>6</b>	HP-1 50 40 50	1	Shaft	AISI 304
<b>7</b>	HP-1 50 99 35	1	Muffler	PE porous
<b>8</b>	HP-1 50 85 22	2	Center housing seal	PE
<b>9</b>	HP-1 08 58 00	1	Air valve key (SK4)	diverse
<b>REPAIR KITS</b>				
<b>A</b>	HAK-200	1	Air valve	PET/NBR
<b>W</b>	HWE-200-NTTN	KIT	BUNA-N WET KIT	
	HWE-200-ETTE	KIT	EPDM WET KIT	
	HWE-200-PTTT	KIT	PTFE WET KIT	



H300 EXPLODED VIEW



### H300 – PARTS LIST

<b>H300</b>				
<b>ITEM</b>	<b>PART NUMBER</b>	<b>QTY</b>	<b>DESCRIPTON</b>	<b>MATERIAL</b>
<b>1</b>	HP-4 80 01 53	2	Pump housing	AISI 316 L
<b>2</b>	HP-1 80 10 20	1	Center housing	PE
	HP-1 80 10 21			PE conductive
<b>3</b>	HP-4 80 30 53	2	Manifold inlet/outlet DIN	AISI 316 L
	HP-4 80 31 53		Manifold inlet/outlet SMS	AISI 316 L
	HP-4 80 32 53		Manifold inlet/outlet TC	AISI 316 L
<b>4</b>	HP-1 80 69 53*	4	Shock absorber	AISI 316L
<b>5</b>	HP-1 80 40 50	1	Shaft	AISI 304
<b>6</b>	HP-1 80 85 22	2	Center housing seal	PE
<b>7</b>	HP-1 80 99 00	1	Muffler	diverse
<b>8</b>	HP-1 80 58 00	1	Air valve key (SK4)	diverse
<b>REPAIR KITS</b>				
<b>A</b>	HAK-300	1	Air valve	PET/NBR
<b>W</b>	HWE-300-NTTN	KIT	BUNA-N WET KIT	
	HWE-300-ETTE	KIT	EPDM WET KIT	
	HWE-300-PTTT	KIT	PTFE WET KIT	