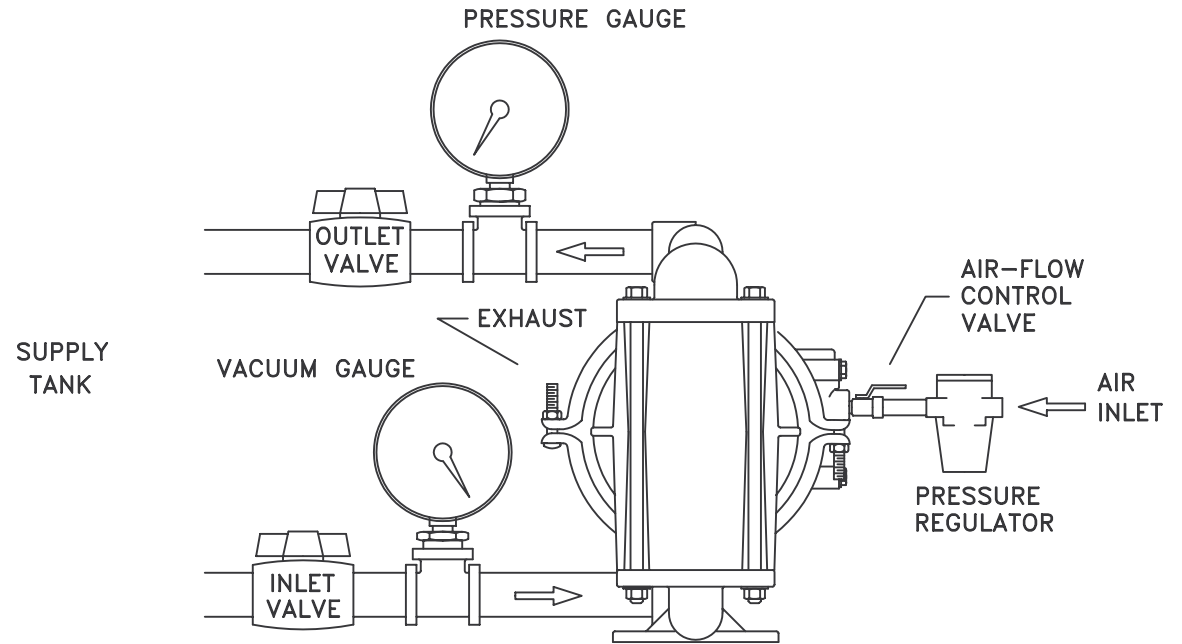




TESTING INSTRUCTIONS

1. Connect the Outlet and Inlet lines from the Test Tank to the pump openings
2. Making sure that the Air Control Valve is off, connect the Air Supply to the Air Inlet located on the Air Valve body
3. Check the Air Regulator Gauge reading. Adjust to 100 psi if necessary
4. Making sure that both the Inlet and Outlet Valves are in the full-open position, fully open the Air Control Valve to start the pump
5. With the pump operating, check the following:
 - a) liquid leakage at all seal joints
 - b) liquid leakage on part surfaces (porosity)
 - c) uniform time between stroking
6. Close the Outlet Valve and check the following:
 - a) liquid leakage at all seal joints
 - b) liquid leakage on part surfaces (porosity)
 - c) air leakage at gasket joints and/or the exhaust opening
 - d) pressure drop on Pressure Gauge
7. Slowly open the Outlet Valve to allow the pump to shift one (1) stroke in order to pressurize the opposite pumping chamber. Close the Outlet Valve and check the following:
 - a) liquid leakage at all seal joints
 - b) liquid leakage on part surfaces (porosity)
 - c) air leakage at gasket joints and/or the exhaust opening
 - d) pressure drop on Pressure Gauge
8. Fully open Outlet Valve, allow the pump to complete 10 cycles. Close the Inlet Valve with the pump operating. Check the Vacuum Gauge reading
 - a) 15 in-hg minimum reading for PTFE Balls
 - b) 21 in-hg minimum reading for Santoprene & Geolast Balls
9. Open Inlet Valve, allow pump to operate, adjust the Air Pressure Regulator to 20 psi, close the Air Control Valve
10. Re-start the pump by opening the Air Control Valve, check the following:
 - a) pump starts without hesitation
 - b) uniform time between stroking
 - c) air leakage at gasket joints and/or the exhaust opening
11. Adjust Air Pressure Regulator to 100 psi, allow pump to operate, close Air Control Valve
12. Disconnect Inlet, Outlet, and Air Supply lines. Drain pump and place in storage racks
13. Conductive Plastic Pumps Only

With the scale set on X100K ohms, place one (1) probe of the VOM on gate of the Discharge Manifold and one (1) probe on the Grounding Lug. Check for reading on the ohm scale. Repeat test by placing the first probe on the gate of the Suction Manifold and each of the two (2) Outer Chambers. The meter must register a reading at each of the locations in order to pass this test.



DO NOT SCALE DRAWING  DIMENSIONS IN INCHES

TOLERANCES		 THE ALL-FLO PUMP COMPANY, INC. 9321 PINENEEDLE DRIVE · MENTOR, OHIO · (440) 354-1700 · FAX (440) 354-9466	
DECIMAL .XX ±0.01 .XXX ±0.005	Revised 29 June 98	SCALE NONE	DRAWN BY ENH APPROVED BY
FRACTIONAL	TITLE TEST INSTRUCTIONS		
ANGULAR	DATE 10 FEB 98	DRAWING NUMBER TI 10000	REV B